

# UNCDW

## COMPACT COMPRESSION TYPE LOAD CELL

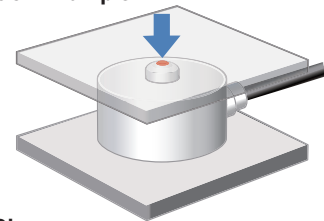


REAL SIZE

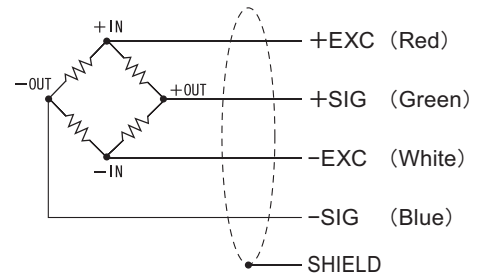
### Specifications

Model	UNCDW-200N, UNCDW-500N	
Rated capacity	200, 500	N
Rated output	0.5 or more	mV/V
Safe overload	120	%R.C.
Maximum safe overload	150	%R.C.
Zero balance	±20	%R.O.
Non-linearity	1.0	%R.O.
Hysteresis	1.0	%R.O.
Repeatability	1.0	%R.O.
Compensated temperature range	+5 to +50	°C
Safe temperature range	-10 to +80	°C
Temperature effect on zero	0.5	%R.O./10°C
Temperature effect on span	0.5	%R.O./10°C
Input resistance	Approx. 350	Ω
Output resistance	Approx. 350	Ω
Recommended excitation voltage	2.5	V
Maximum excitation voltage	5	V
Insulation resistance (DC50V)	1000 or more	MΩ
Cable	φ1.6 4 conductor shield cable 0.5m	
Load cell material	Stainless steel	

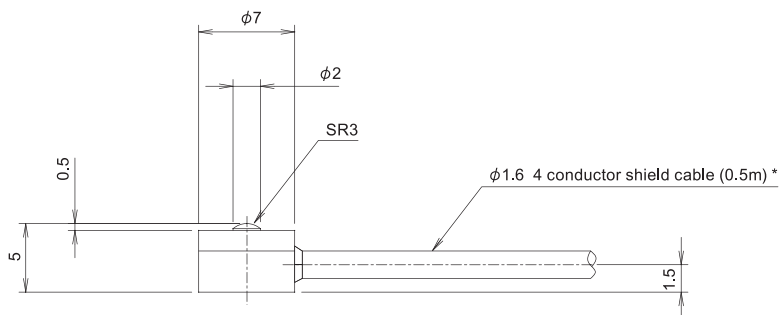
### Application Example



### Wiring Diagram



### External dimension



\* Connector can be attached to the cable according to your requests. Refer to 48 pages for details.

Unit: mm

Model	Deflection at rated	Natural frequency	Weight
UNCDW-200N	0.01mm	116kHz	2g
UNCDW-500N	0.01mm	115kHz	2g