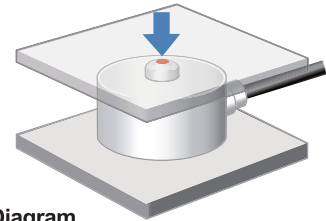




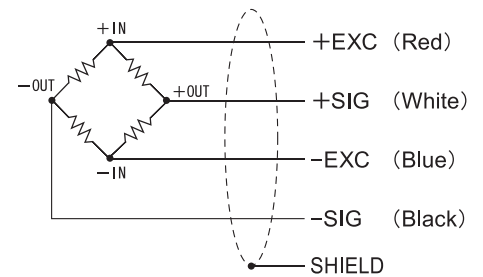
Specifications

Model	UNMR-10KN	UNMR-20KN	
Rated capacity	10k	20k	N
Rated output	1±30%		mV/V
Safe overload	120		%R.C.
Maximum safe overload	150		%R.C.
Zero balance	±10		%R.O.
Non-linearity	1	2	%R.O.
Hysteresis	1	2	%R.O.
Repeatability	1		%R.O.
Compensated temperature range	0 to +50		°C
Safe temperature range	-10 to +60		°C
Temperature effect on zero	0.5		%R.O./10°C
Temperature effect on span	0.5		%R.O./10°C
Input resistance	Approx. 350		Ω
Output resistance	Approx. 350		Ω
Recommended excitation voltage	2.5		V
Maximum excitation voltage	6		V
Insulation resistance(DC50V)	1000 or more		MΩ
Cable	φ2.8 4 conductor shield cable 2m		
Load cell material	Stainless steel		

Application Example



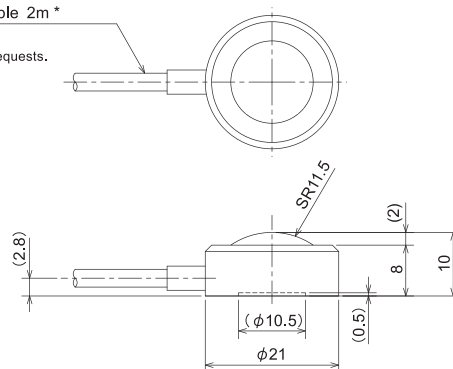
Wiring Diagram



External dimension

φ2.8 4 conductor shield cable 2m *

* Connector can be attached to the cable according to your requests. Refer to 48 pages for details.



Unit: mm

Model	Deflection at rated	Natural frequency	Weight
UNMR-10KN	0.07mm	Approx. 50kHz	Approx. 25g
UNMR-20KN			